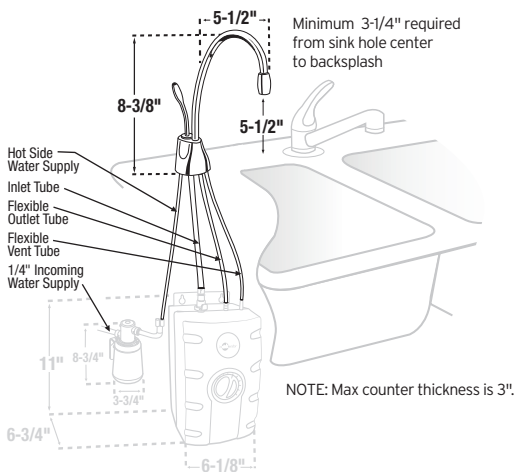




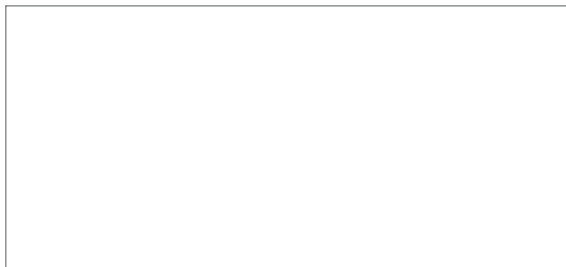
The Next Necessity™



Dimensions



Job Specifications



Instant Hot Water Dispensers



F-GN1100

Our finest line of instant hot water dispensers for use with our Stainless Steel Tank for filtered near-boiling 200°F water

Tank and filter sold separately (SST-FLTR)

Submittal Sheet

- **Hot Only** - Dispenses near-boiling 200°F water
- Graceful high-arching spout swivels for greater convenience and stylish integrated lever provides a dramatic look
- Hot lever automatically shuts off
- Durable all brass faucet construction
- 5-Year *We Come To You*® In-Home Service Warranty*
- For use with InSinkErator Stainless Steel Tank and F-201 Filtration System
- **Available in these designer finishes:** white, biscuit, French gold, satin nickel, polished nickel, chrome, brushed chrome, mocha bronze, oil rubbed bronze, matte black and gloss black

Specifications

Valve	Instant, self-closing
Shipping Weight	Approximately 4.0 lbs.
Required Hole Diameter	1-1/4" - 1-1/2" standard sink hole



Sample Specification

Instant hot water dispenser(s) shall be InSinkErator Model F-GN1100 with 2/3-gallon stainless steel tank, adjustable temperature from 160°F to 210°F and instant, self-closing hot valve.

Warranty:
5-year parts and in-home service.

* The complete InSinkErator warranty is included in the Care & Use booklet packed with each unit.



Complies with Lead Plumbing Law

1-800-558-5700
www.insinkerator.com



EMERSON™
Appliance Solutions

The Emerson logo is a trademark and service mark of Emerson Electric Co.

InSinkErator may make improvements and/or changes in the specifications at any time, in its sole discretion, without notice or obligation and further reserves the right to change or discontinue models.

© 2011 InSinkErator, a division of Emerson Electric Co. All Rights Reserved.